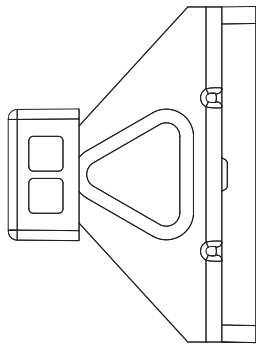
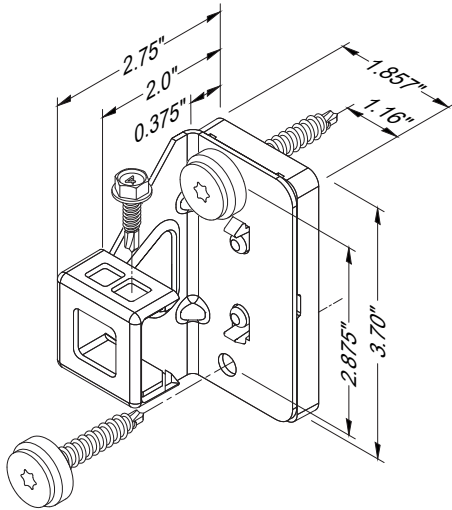


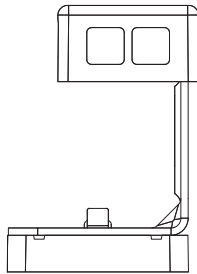


2" S-SERIES THERMABRACKET®

THERMALLY ISOLATED CLADDING SUPPORT BRACKET



SIDE VIEW



TOP VIEW

APPLICATION

The ThermoBracket® is a cladding support bracket which creates a rainscreen cavity and is most commonly used with exterior insulated wall assemblies. The product is intended for use on wall surfaces and horizontal soffit conditions to provide thermally improved support of the cladding. Back-up wall the ThermoBracket may be secured to include steel studs (18-gauge min.), wood studs, concrete or concrete masonry units (CMU). Back-up walls must be designed to support the loads imposed by the rainscreen system. The maximum supported weight and wind pressures (loads) will vary depending upon the spacing of the ThermoBracket and the type of construction to which they attach.

S-SERIES

The S-Series (Static Series) rail-to-bracket connection is fixed with slight “built-in” adjustability (~1/8 inch). The ThermoBracket has the ability of addint specially designed shims between the isolator and back-up wall at 1/8 inch increments. These shims fit square, straight and bear evenly for a structurally secure, sound connection without increasing thermal transmittance. The air cavity (between backside of cladding to face of insulation) is 0.75 inch when the S-Rail is used. When the S-100 rail is used, it is 1.0 inch.

PROPERTIES & OPTIONS

WEIGHT (EA)	4.8 ounces
MATERIAL TYPE	ASTM A1046 ZM40 Steel or 304 Stainless Steel*
DESIGN STEEL THICKNESS	0.078 inches
MIN. STEEL THICKNESS	0.074 inches
YIELD STRESS, Fy	50 ksi
AVAILABLE FINISHES	Standard Mill
THERMAL ISOLATION MATERIAL	Polypropylene
DECLARE LABEL	Red List Free

Properties are for ZM40 steel products only, contact KWS for stainless steel.

*Asterisk identifies non-standard items - availability & additional cost vary. All dimensions & weights are nominal.

Contact KWS to confirm availability - most standard items typically ship within two weeks (quantity dependent).

See system specific guide details for further information on design, detailing and installation.

NO EXPRESS WARRANTIES ARE GIVEN EXCEPT FOR ANY APPLICABLE WRITTEN WARRANTIES SPECIFICALLY PROVIDED BY KNIGHT WALL SYSTEMS®. ALL IMPLIED WARRANTIES INCLUDING THOSE OF MERCHANTABILITY AND FITNESS FOR A PARTICULAR PURPOSE ARE EXPRESSLY EXCLUDED. No freedom from any patent owned by KNIGHT WALL SYSTEMS® or others is to be inferred. Because use conditions and applicable laws may differ from one location to another and may change with time, Customer is responsible for determining whether products and the information in this document are appropriate for Customer's use. They are not guaranteed in any way by the Knight Wall Systems, Inc. since building design, engineering, and construction, including workmanship and materials are beyond the control of the manufacturer. The information provided here is subject to change without notice.

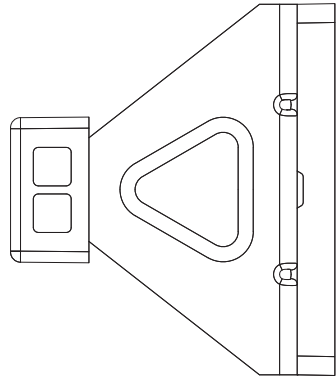
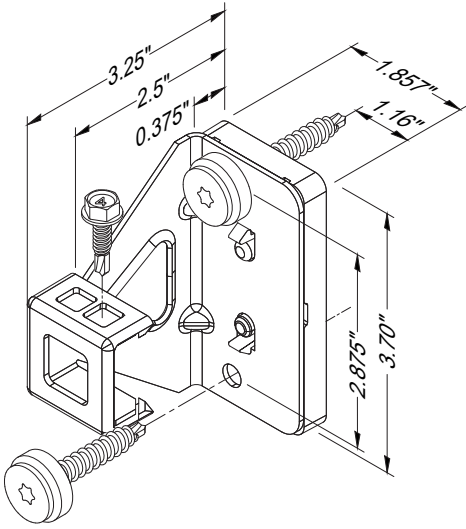
All content included on this document is and shall continue to be the property of Knight Wall Systems, Inc. or its content suppliers, and is protected under applicable copyright, trademark, and other proprietary rights. KNIGHT WALL SYSTEMS, the Knight Wall Systems design mark, MFI, THERMABRACKET, THERMASTOP, and FORMED TO PROTECT WHAT MATTERS MOST are trademarks of Knight Wall Systems, Inc. US Patent Nos. 8429866, 8973334, 9677268, 9732518, 98526655, D963894, 11299891, 11286676, and others are registered and pending patents of Knight Wall Systems, Inc. These lists are not exhaustive and Knight Wall Systems, Inc. does not waive its rights in regard to other intellectual property not listed.

© 2025 Knight Wall Systems, Inc. All rights reserved. 04072025

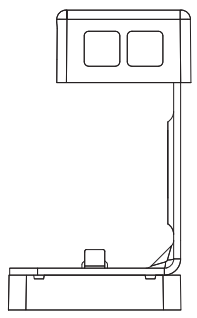


2.5" S-SERIES THERMABRACKET®

THERMALLY ISOLATED CLADDING SUPPORT BRACKET



SIDE VIEW



TOP VIEW

APPLICATION

The ThermoBracket® is a cladding support bracket which creates a rainscreen cavity and is most commonly used with exterior insulated wall assemblies. The product is intended for use on wall surfaces and horizontal soffit conditions to provide thermally improved support of the cladding. Back-up wall the ThermoBracket may be secured to include steel studs (18-gauge min.), wood studs, concrete or concrete masonry units (CMU). Back-up walls must be designed to support the loads imposed by the rainscreen system. The maximum supported weight and wind pressures (loads) will vary depending upon the spacing of the ThermoBracket and the type of construction to which they attach.

S-SERIES

The S-Series (Static Series) rail-to-bracket connection is fixed with slight “built-in” adjustability (~1/8 inch). The ThermoBracket has the ability of addint specially designed shims between the isolator and back-up wall at 1/8 inch increments. These shims fit square, straight and bear evenly for a structurally secure, sound connection without increasing thermal transmittance. The air cavity (between backside of cladding to face of insulation) is 0.75 inch when the S-Rail is used. When the S-100 rail is used, it is 1.0 inch.

PROPERTIES & OPTIONS

WEIGHT (EA)	6.64 ounces
MATERIAL TYPE	ASTM A1046 ZM40 Steel or 304 Stainless Steel*
DESIGN STEEL THICKNESS	0.078 inches
MIN. STEEL THICKNESS	0.074 inches
YIELD STRESS, Fy	50 ksi
AVAILABLE FINISHES	Standard Mill
THERMAL ISOLATION MATERIAL	Polypropylene
DECLARE LABEL	Red List Free

Properties are for ZM40 steel products only, contact KWS for stainless steel.
 *Asterisk identifies non-standard items - availability & additional cost vary. All dimensions & weights are nominal. Contact KWS to confirm availability - most standard items typically ship within two weeks (quantity dependent). See system specific guide details for further information on design, detailing and installation.

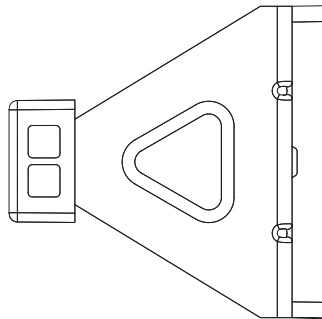
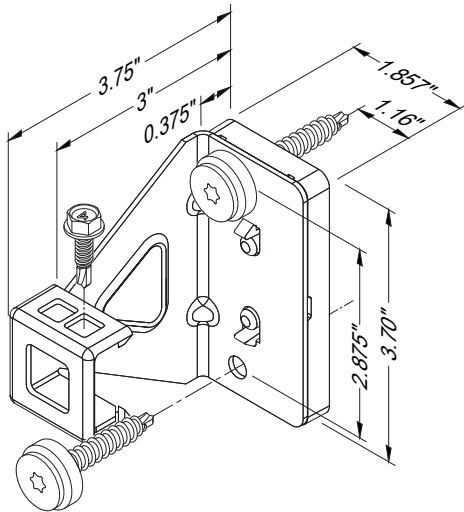
NO EXPRESS WARRANTIES ARE GIVEN EXCEPT FOR ANY APPLICABLE WRITTEN WARRANTIES SPECIFICALLY PROVIDED BY KNIGHT WALL SYSTEMS®. ALL IMPLIED WARRANTIES INCLUDING THOSE OF MERCHANTABILITY AND FITNESS FOR A PARTICULAR PURPOSE ARE EXPRESSLY EXCLUDED. No freedom from any patent owned by KNIGHT WALL SYSTEMS® or others is to be inferred. Because use conditions and applicable laws may differ from one location to another and may change with time, Customer is responsible for determining whether products and the information in this document are appropriate for Customer's use. They are not guaranteed in any way by the Knight Wall Systems, Inc. since building design, engineering, and construction, including workmanship and materials are beyond the control of the manufacturer. The information provided here is subject to change without notice.

All content included on this document is and shall continue to be the property of Knight Wall Systems, Inc. or its content suppliers, and is protected under applicable copyright, trademark, and other proprietary rights. KNIGHT WALL SYSTEMS, the Knight Wall Systems design mark, MFI, THERMABRACKET, THERMASTOP, and FORMED TO PROTECT WHAT MATTERS MOST are trademarks of Knight Wall Systems, Inc. US Patent Nos. 8429866, 8973334, 9677268, 9732518, 98526655, D963894, 11299891, 11286676, and others are registered and pending patents of Knight Wall Systems, Inc. These lists are not exhaustive and Knight Wall Systems, Inc. does not waive its rights in regard to other intellectual property not listed.
 © 2025 Knight Wall Systems, Inc. All rights reserved. 04072025

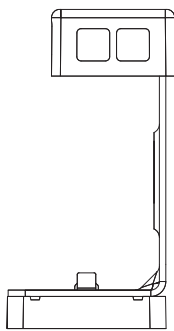


3" S-SERIES THERMABRACKET®

THERMALLY ISOLATED CLADDING SUPPORT BRACKET



SIDE VIEW



TOP VIEW

APPLICATION

The ThermoBracket® is a cladding support bracket which creates a rainscreen cavity and is most commonly used with exterior insulated wall assemblies. The product is intended for use on wall surfaces and horizontal soffit conditions to provide thermally improved support of the cladding. Back-up wall the ThermoBracket may be secured to include steel studs (18-gauge min.), wood studs, concrete or concrete masonry units (CMU). Back-up walls must be designed to support the loads imposed by the rainscreen system. The maximum supported weight and wind pressures (loads) will vary depending upon the spacing of the ThermoBracket and the type of construction to which they attach.

S-SERIES

The S-Series (Static Series) rail-to-bracket connection is fixed with slight “built-in” adjustability (~1/8 inch). The ThermoBracket has the ability of addint specially designed shims between the isolator and back-up wall at 1/8 inch increments. These shims fit square, straight and bear evenly for a structurally secure, sound connection without increasing thermal transmittance. The air cavity (between backside of cladding to face of insulation) is 0.75 inch when the S-Rail is used. When the S-100 rail is used, it is 1.0 inch.

PROPERTIES & OPTIONS

WEIGHT (EA)	5.6 ounces
MATERIAL TYPE	ASTM A1046 ZM40 Steel or 304 Stainless Steel*
DESIGN STEEL THICKNESS	0.078 inches
MIN. STEEL THICKNESS	0.074 inches
YIELD STRESS, F _y	50 ksi
AVAILABLE FINISHES	Standard Mill
THERMAL ISOLATION MATERIAL	Polypropylene
DECLARE LABEL	Red List Free

Properties are for ZM40 steel products only, contact KWS for stainless steel.

*Asterisk identifies non-standard items - availability & additional cost vary. All dimensions & weights are nominal.

Contact KWS to confirm availability - most standard items typically ship within two weeks (quantity dependent).

See system specific guide details for further information on design, detailing and installation.

NO EXPRESS WARRANTIES ARE GIVEN EXCEPT FOR ANY APPLICABLE WRITTEN WARRANTIES SPECIFICALLY PROVIDED BY KNIGHT WALL SYSTEMS®. ALL IMPLIED WARRANTIES INCLUDING THOSE OF MERCHANTABILITY AND FITNESS FOR A PARTICULAR PURPOSE ARE EXPRESSLY EXCLUDED. No freedom from any patent owned by KNIGHT WALL SYSTEMS® or others is to be inferred. Because use conditions and applicable laws may differ from one location to another and may change with time, Customer is responsible for determining whether products and the information in this document are appropriate for Customer's use. They are not guaranteed in any way by the Knight Wall Systems, Inc. since building design, engineering, and construction, including workmanship and materials are beyond the control of the manufacturer. The information provided here is subject to change without notice.

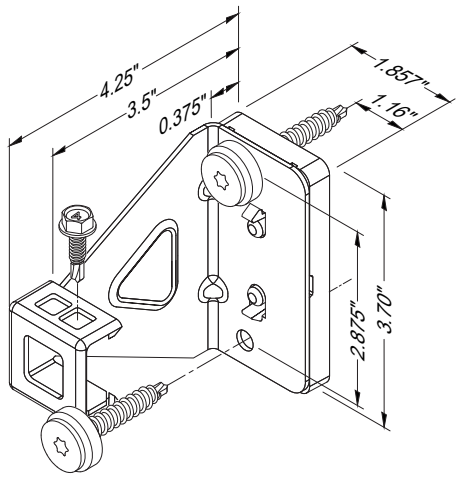
All content included on this document is and shall continue to be the property of Knight Wall Systems, Inc. or its content suppliers, and is protected under applicable copyright, trademark, and other proprietary rights. KNIGHT WALL SYSTEMS, the Knight Wall Systems design mark, MFI, THERMABRACKET, THERMASTOP, and FORMED TO PROTECT WHAT MATTERS MOST are trademarks of Knight Wall Systems, Inc. US Patent Nos. 8429866, 8973334, 9677268, 9732518, 98526655, D963894, 11299891, 11286676, and others are registered and pending patents of Knight Wall Systems, Inc. These lists are not exhaustive and Knight Wall Systems, Inc. does not waive its rights in regard to other intellectual property not listed.

© 2025 Knight Wall Systems, Inc. All rights reserved. 04072025



3.5" S-SERIES THERMABRACKET®

THERMALLY ISOLATED CLADDING SUPPORT BRACKET

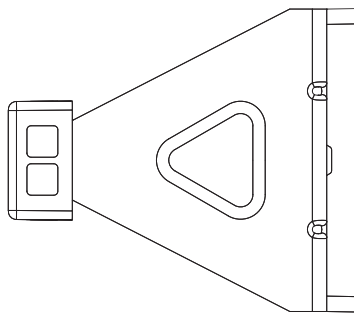


APPLICATION

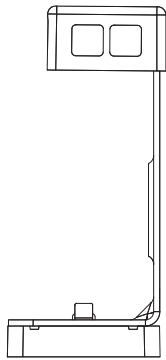
The ThermoBracket® is a cladding support bracket which creates a rainscreen cavity and is most commonly used with exterior insulated wall assemblies. The product is intended for use on wall surfaces and horizontal soffit conditions to provide thermally improved support of the cladding. Back-up wall the ThermoBracket may be secured to include steel studs (18-gauge min.), wood studs, concrete or concrete masonry units (CMU). Back-up walls must be designed to support the loads imposed by the rainscreen system. The maximum supported weight and wind pressures (loads) will vary depending upon the spacing of the ThermoBracket and the type of construction to which they attach.

S-SERIES

The S-Series (Static Series) rail-to-bracket connection is fixed with slight “built-in” adjustability (~1/8 inch). The ThermoBracket has the ability of addint specially designed shims between the isolator and back-up wall at 1/8 inch increments. These shims fit square, straight and bear evenly for a structurally secure, sound connection without increasing thermal transmittance. The air cavity (between backside of cladding to face of insulation) is 0.75 inch when the S-Rail is used. When the S-100 rail is used, it is 1.0 inch.



SIDE VIEW



TOP VIEW

PROPERTIES & OPTIONS

WEIGHT (EA)	6.1 ounces
MATERIAL TYPE	ASTM A1046 ZM40 Steel or 304 Stainless Steel*
DESIGN STEEL THICKNESS	0.078 inches
MIN. STEEL THICKNESS	0.074 inches
YIELD STRESS, Fy	50 ksi
AVAILABLE FINISHES	Standard Mill
THERMAL ISOLATION MATERIAL	Polypropylene
DECLARE LABEL	Red List Free

Properties are for ZM40 steel products only, contact KWS for stainless steel.

*Asterisk identifies non-standard items - availability & additional cost vary. All dimensions & weights are nominal.

Contact KWS to confirm availability - most standard items typically ship within two weeks (quantity dependent).

See system specific guide details for further information on design, detailing and installation.

NO EXPRESS WARRANTIES ARE GIVEN EXCEPT FOR ANY APPLICABLE WRITTEN WARRANTIES SPECIFICALLY PROVIDED BY KNIGHT WALL SYSTEMS®. ALL IMPLIED WARRANTIES INCLUDING THOSE OF MERCHANTABILITY AND FITNESS FOR A PARTICULAR PURPOSE ARE EXPRESSLY EXCLUDED. No freedom from any patent owned by KNIGHT WALL SYSTEMS® or others is to be inferred. Because use conditions and applicable laws may differ from one location to another and may change with time, Customer is responsible for determining whether products and the information in this document are appropriate for Customer's use. They are not guaranteed in any way by the Knight Wall Systems, Inc. since building design, engineering, and construction, including workmanship and materials are beyond the control of the manufacturer. The information provided here is subject to change without notice.

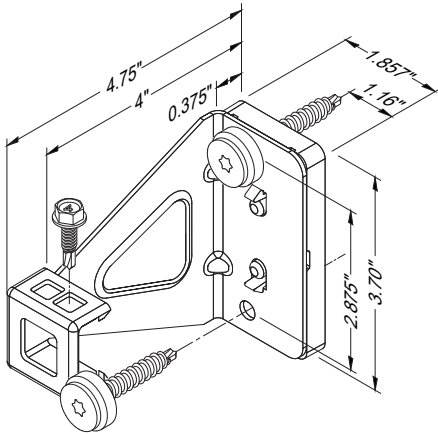
All content included on this document is and shall continue to be the property of Knight Wall Systems, Inc. or its content suppliers, and is protected under applicable copyright, trademark, and other proprietary rights. KNIGHT WALL SYSTEMS, the Knight Wall Systems design mark, MFI, THERMABRACKET, THERMASTOP, and FORMED TO PROTECT WHAT MATTERS MOST are trademarks of Knight Wall Systems, Inc. US Patent Nos. 8429866, 8973334, 9677268, 9732518, 98526655, D963894, 11299891, 11286676, and others are registered and pending patents of Knight Wall Systems, Inc. These lists are not exhaustive and Knight Wall Systems, Inc. does not waive its rights in regard to other intellectual property not listed.

© 2025 Knight Wall Systems, Inc. All rights reserved. 04072025



4" S-SERIES THERMABRACKET®

THERMALLY ISOLATED CLADDING SUPPORT BRACKET

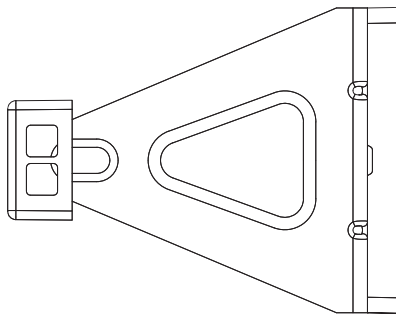


APPLICATION

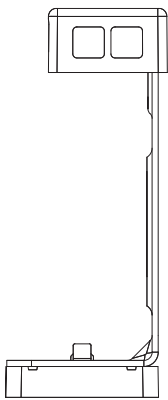
The ThermoBracket® is a cladding support bracket which creates a rainscreen cavity and is most commonly used with exterior insulated wall assemblies. The product is intended for use on wall surfaces and horizontal soffit conditions to provide thermally improved support of the cladding. Back-up wall the ThermoBracket may be secured to include steel studs (18-gauge min.), wood studs, concrete or concrete masonry units (CMU). Back-up walls must be designed to support the loads imposed by the rainscreen system. The maximum supported weight and wind pressures (loads) will vary depending upon the spacing of the ThermoBracket and the type of construction to which they attach.

S-SERIES

The S-Series (Static Series) rail-to-bracket connection is fixed with slight “built-in” adjustability (~1/8 inch). The ThermoBracket has the ability of addint specially designed shims between the isolator and back-up wall at 1/8 inch increments. These shims fit square, straight and bear evenly for a structurally secure, sound connection without increasing thermal transmittance. The air cavity (between backside of cladding to face of insulation) is 0.75 inch when the S-Rail is used. When the S-100 rail is used, it is 1.0 inch.



SIDE VIEW



TOP VIEW

PROPERTIES & OPTIONS

WEIGHT (EA)	6.2 ounces
MATERIAL TYPE	ASTM A1046 ZM40 Steel or 304 Stainless Steel*
DESIGN STEEL THICKNESS	0.078 inches
MIN. STEEL THICKNESS	0.074 inches
YIELD STRESS, F _y	50 ksi
AVAILABLE FINISHES	Standard Mill
THERMAL ISOLATION MATERIAL	Polypropylene
DECLARE LABEL	Red List Free

Properties are for ZM40 steel products only, contact KWS for stainless steel.

*Asterisk identifies non-standard items - availability & additional cost vary. All dimensions & weights are nominal.

Contact KWS to confirm availability - most standard items typically ship within two weeks (quantity dependent).

See system specific guide details for further information on design, detailing and installation.

NO EXPRESS WARRANTIES ARE GIVEN EXCEPT FOR ANY APPLICABLE WRITTEN WARRANTIES SPECIFICALLY PROVIDED BY KNIGHT WALL SYSTEMS®. ALL IMPLIED WARRANTIES INCLUDING THOSE OF MERCHANTABILITY AND FITNESS FOR A PARTICULAR PURPOSE ARE EXPRESSLY EXCLUDED. No freedom from any patent owned by KNIGHT WALL SYSTEMS® or others is to be inferred. Because use conditions and applicable laws may differ from one location to another and may change with time, Customer is responsible for determining whether products and the information in this document are appropriate for Customer's use. They are not guaranteed in any way by the Knight Wall Systems, Inc. since building design, engineering, and construction, including workmanship and materials are beyond the control of the manufacturer. The information provided here is subject to change without notice.

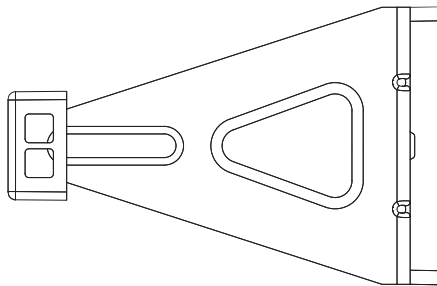
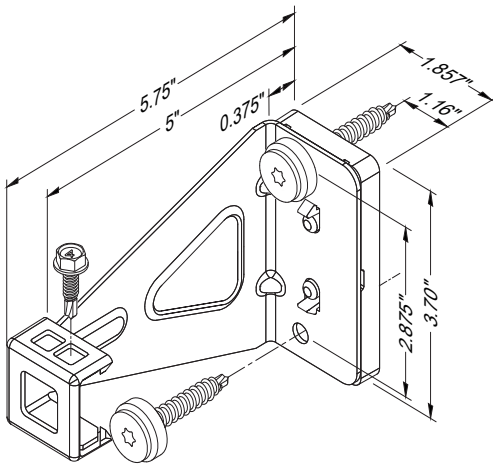
All content included on this document is and shall continue to be the property of Knight Wall Systems, Inc. or its content suppliers, and is protected under applicable copyright, trademark, and other proprietary rights. KNIGHT WALL SYSTEMS, the Knight Wall Systems design mark, MFI, THERMABRACKET, THERMASTOP, and FORMED TO PROTECT WHAT MATTERS MOST are trademarks of Knight Wall Systems, Inc. US Patent Nos. 8429866, 8973334, 9677268, 9732518, 98526655, D963894, 11299891, 11286676, and others are registered and pending patents of Knight Wall Systems, Inc. These lists are not exhaustive and Knight Wall Systems, Inc. does not waive its rights in regard to other intellectual property not listed.

© 2025 Knight Wall Systems, Inc. All rights reserved. 04072025

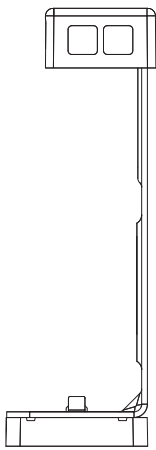


5" S-SERIES THERMABRACKET®

THERMALLY ISOLATED CLADDING SUPPORT BRACKET



SIDE VIEW



TOP VIEW

APPLICATION

The ThermoBracket® is a cladding support bracket which creates a rainscreen cavity and is most commonly used with exterior insulated wall assemblies. The product is intended for use on wall surfaces and horizontal soffit conditions to provide thermally improved support of the cladding. Back-up wall the ThermoBracket may be secured to include steel studs (18-gauge min.), wood studs, concrete or concrete masonry units (CMU). Back-up walls must be designed to support the loads imposed by the rainscreen system. The maximum supported weight and wind pressures (loads) will vary depending upon the spacing of the ThermoBracket and the type of construction to which they attach.

S-SERIES

The S-Series (Static Series) rail-to-bracket connection is fixed with slight “built-in” adjustability (~1/8 inch). The ThermoBracket has the ability of addint specially designed shims between the isolator and back-up wall at 1/8 inch increments. These shims fit square, straight and bear evenly for a structurally secure, sound connection without increasing thermal transmittance. The air cavity (between backside of cladding to face of insulation) is 0.75 inch when the S-Rail is used. When the S-100 rail is used, it is 1.0 inch.

PROPERTIES & OPTIONS

WEIGHT (EA)	6.9 ounces
MATERIAL TYPE	ASTM A1046 ZM40 Steel or 304 Stainless Steel*
DESIGN STEEL THICKNESS	0.078 inches
MIN. STEEL THICKNESS	0.074 inches
YIELD STRESS, Fy	50 ksi
AVAILABLE FINISHES	Standard Mill
THERMAL ISOLATION MATERIAL	Polypropylene
DECLARE LABEL	Red List Free

Properties are for ZM40 steel products only, contact KWS for stainless steel.

*Asterisk identifies non-standard items - availability & additional cost vary. All dimensions & weights are nominal.

Contact KWS to confirm availability - most standard items typically ship within two weeks (quantity dependent).

See system specific guide details for further information on design, detailing and installation.

NO EXPRESS WARRANTIES ARE GIVEN EXCEPT FOR ANY APPLICABLE WRITTEN WARRANTIES SPECIFICALLY PROVIDED BY KNIGHT WALL SYSTEMS®. ALL IMPLIED WARRANTIES INCLUDING THOSE OF MERCHANTABILITY AND FITNESS FOR A PARTICULAR PURPOSE ARE EXPRESSLY EXCLUDED. No freedom from any patent owned by KNIGHT WALL SYSTEMS® or others is to be inferred. Because use conditions and applicable laws may differ from one location to another and may change with time, Customer is responsible for determining whether products and the information in this document are appropriate for Customer's use. They are not guaranteed in any way by the Knight Wall Systems, Inc. since building design, engineering, and construction, including workmanship and materials are beyond the control of the manufacturer. The information provided here is subject to change without notice.

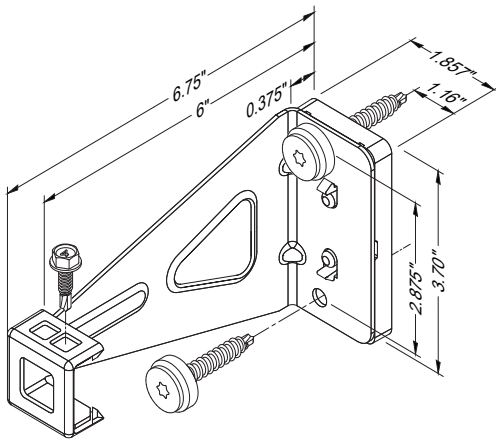
All content included on this document is and shall continue to be the property of Knight Wall Systems, Inc. or its content suppliers, and is protected under applicable copyright, trademark, and other proprietary rights. KNIGHT WALL SYSTEMS, the Knight Wall Systems design mark, MFI, THERMABRACKET, THERMASTOP, and FORMED TO PROTECT WHAT MATTERS MOST are trademarks of Knight Wall Systems, Inc. US Patent Nos. 8429866, 8973334, 9677268, 9732518, 98526655, D963894, 11299891, 11286676, and others are registered and pending patents of Knight Wall Systems, Inc. These lists are not exhaustive and Knight Wall Systems, Inc. does not waive its rights in regard to other intellectual property not listed.

© 2025 Knight Wall Systems, Inc. All rights reserved. 04072025



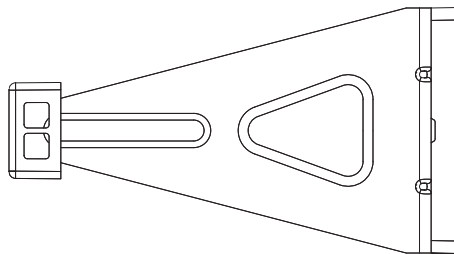
6" S-SERIES THERMABRACKET®

THERMALLY ISOLATED CLADDING SUPPORT BRACKET



APPLICATION

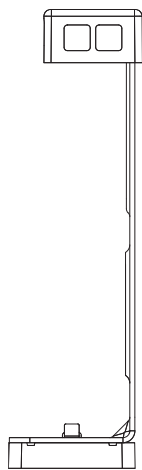
The ThermoBracket® is a cladding support bracket which creates a rainscreen cavity and is most commonly used with exterior insulated wall assemblies. The product is intended for use on wall surfaces and horizontal soffit conditions to provide thermally improved support of the cladding. Back-up wall the ThermoBracket may be secured to include steel studs (18-gauge min.), wood studs, concrete or concrete masonry units (CMU). Back-up walls must be designed to support the loads imposed by the rainscreen system. The maximum supported weight and wind pressures (loads) will vary depending upon the spacing of the ThermoBracket and the type of construction to which they attach.



SIDE VIEW

S-SERIES

The S-Series (Static Series) rail-to-bracket connection is fixed with slight “built-in” adjustability (~1/8 inch). The ThermoBracket has the ability of addint specially designed shims between the isolator and back-up wall at 1/8 inch increments. These shims fit square, straight and bear evenly for a structurally secure, sound connection without increasing thermal transmittance. The air cavity (between backside of cladding to face of insulation) is 0.75 inch when the S-Rail is used. When the S-100 rail is used, it is 1.0 inch.



TOP VIEW

PROPERTIES & OPTIONS

WEIGHT (EA)	7.7 ounces
MATERIAL TYPE	ASTM A1046 ZM40 Steel or 304 Stainless Steel*
DESIGN STEEL THICKNESS	0.078 inches
MIN. STEEL THICKNESS	0.074 inches
YIELD STRESS, Fy	50 ksi
AVAILABLE FINISHES	Standard Mill
THERMAL ISOLATION MATERIAL	Polypropylene
DECLARE LABEL	Red List Free

Properties are for ZM40 steel products only, contact KWS for stainless steel.

* Asterisk identifies non-standard items - availability & additional cost vary. All dimensions & weights are nominal.

Contact KWS to confirm availability - most standard items typically ship within two weeks (quantity dependent).

See system specific guide details for further information on design, detailing and installation.

NO EXPRESS WARRANTIES ARE GIVEN EXCEPT FOR ANY APPLICABLE WRITTEN WARRANTIES SPECIFICALLY PROVIDED BY KNIGHT WALL SYSTEMS®. ALL IMPLIED WARRANTIES INCLUDING THOSE OF MERCHANTABILITY AND FITNESS FOR A PARTICULAR PURPOSE ARE EXPRESSLY EXCLUDED. No freedom from any patent owned by KNIGHT WALL SYSTEMS® or others is to be inferred. Because use conditions and applicable laws may differ from one location to another and may change with time, Customer is responsible for determining whether products and the information in this document are appropriate for Customer's use. They are not guaranteed in any way by the Knight Wall Systems, Inc. since building design, engineering, and construction, including workmanship and materials are beyond the control of the manufacturer. The information provided here is subject to change without notice.

All content included on this document is and shall continue to be the property of Knight Wall Systems, Inc. or its content suppliers, and is protected under applicable copyright, trademark, and other proprietary rights. KNIGHT WALL SYSTEMS, the Knight Wall Systems design mark, MFI, THERMABRACKET, THERMASTOP, and FORMED TO PROTECT WHAT MATTERS MOST are trademarks of Knight Wall Systems, Inc. US Patent Nos. 8429866, 8973334, 9677268, 9732518, 98526655, D963894, 11299891, 11286676, and others are registered and pending patents of Knight Wall Systems, Inc. These lists are not exhaustive and Knight Wall Systems, Inc. does not waive its rights in regard to other intellectual property not listed.

© 2025 Knight Wall Systems, Inc. All rights reserved. 04072025