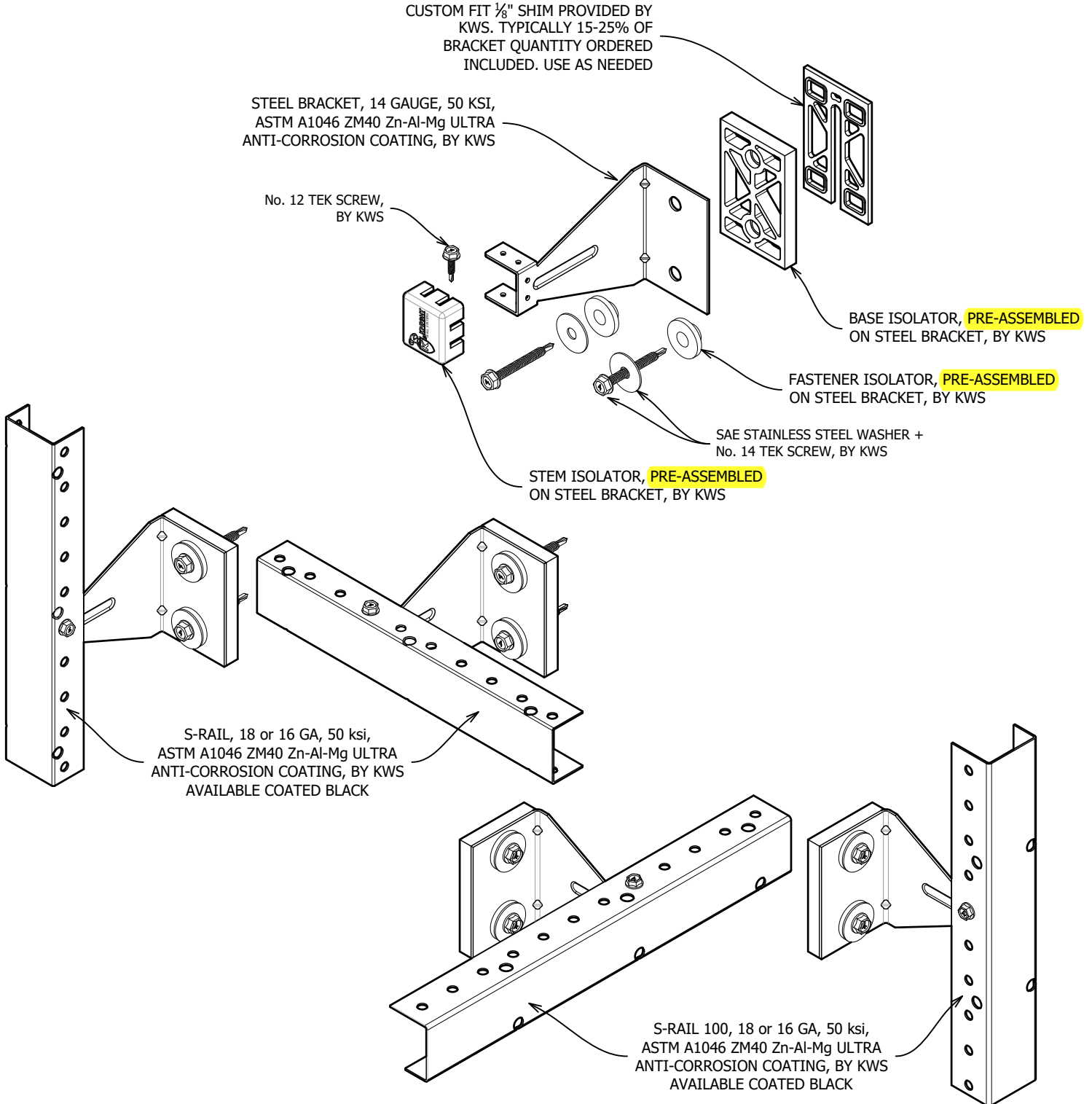




ThermaBracket™ S-Series

ASSEMBLY



SEE SYSTEM SPECIFIC GUIDE DETAILS FOR FURTHER INFORMATION ON DESIGN, DETAILING AND INSTALLATION

2401 East 6th Street • Deer Park, WA 99006

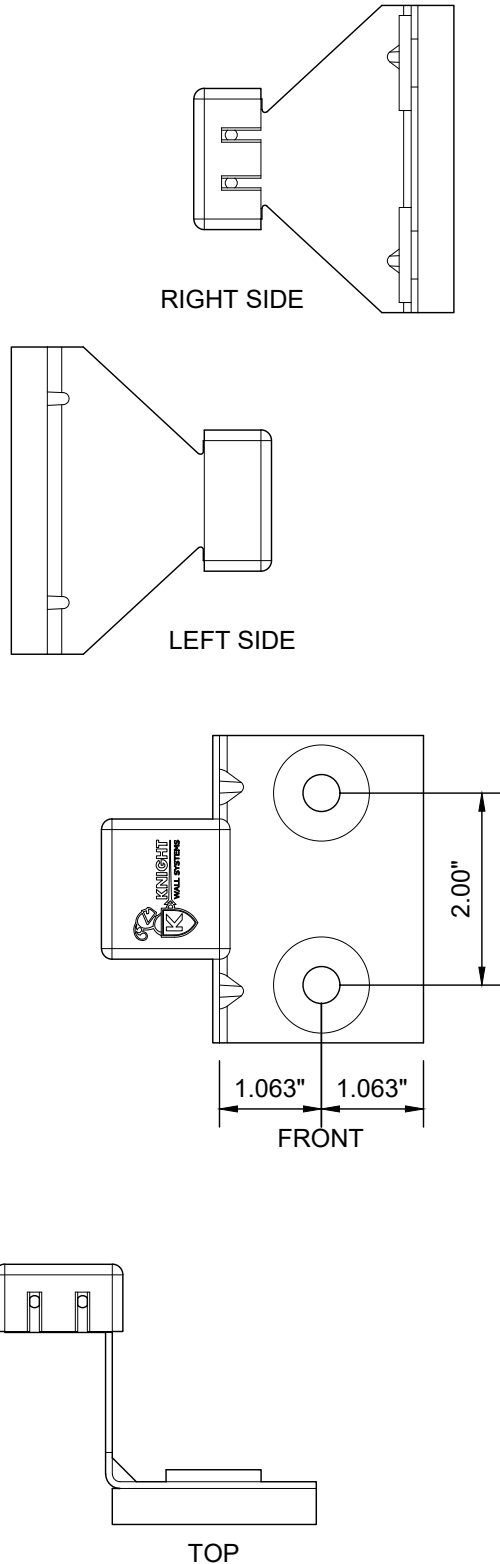
1.855.KWS.WALL

KNIGHTWALLSYSTEMS.COM

CONTACT KWS FOR FURTHER DETAILS. NO EXPRESS WARRANTIES ARE GIVEN EXCEPT FOR ANY APPLICABLE WRITTEN LIMITED WARRANTIES SPECIFICALLY PROVIDED BY KNIGHT WALL SYSTEMS. ALL IMPLIED WARRANTIES INCLUDING MERCHANTABILITY & FITNESS FOR A PARTICULAR PURPOSE ARE EXPRESSLY EXCLUDED. Project specific engineering must be provided by Knight Wall Systems for a written limited warranty. CI, MFI, CI-Girt, HCI, HCI-Girt, ThermaStop, PanelRail, RevealRail, Reveal-Girt and ThermaBracket are trademarks controlled by Knight Wall Systems, Inc. Please visit us online for more information & CAD files © Knight Wall Systems PATENT US 8,429,866 B2; OTHERS PENDING - Drawn by: MW & BN 11192019

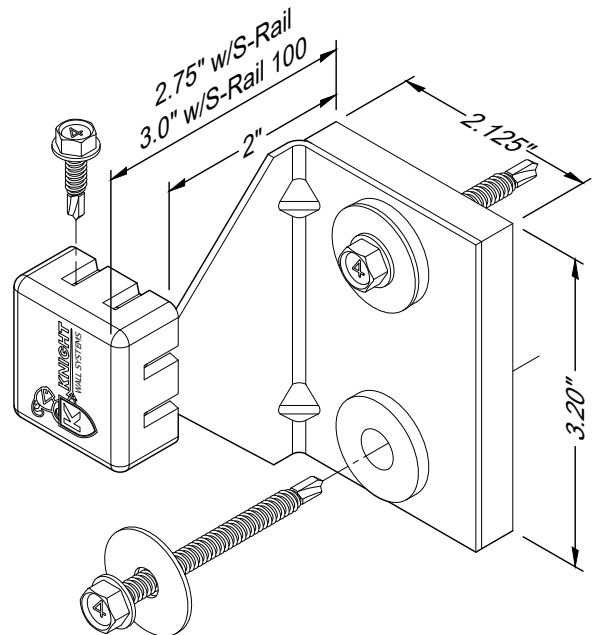


ThermaBracket™ S-Series



2" ThermaBracket-S™	
ASSEMBLED DEPTH	2.75" INCLUDING S-Rail™ (3.0" w/S-Rail 100)
BASE FOOTPRINT	3.20" HIGH x 2.125" WIDE
MATERIALS	14-gauge, ASTM A1046 ZM40, 50-KSI STEEL WITH POLYOXYMETHYLENE ISOLATORS
WEIGHT	5.0 OUNCES EACH AS DELIVERED
ThermaBracket-S™ SPACING	VARIABLE BY PROJECT & CLADDING TYPE
ThermaBracket-S™ WALL ANCHOR	VARIABLE BY SUBSTRATE (STEEL or WOOD STUD, CMU, CONCRETE)
S-Rail™ TO ThermaBracket-S™ ANCHOR PLACEMENT	ONE THROUGH THE PRE-PUNCHED HOLES IN THE LEG OF THE S-Rail™ WHERE IN CONTACT WITH THE ThermaBracket-S™ TOP USING ONE OF TWO AVAILABLE BRACKET HEAD FASTENER PILOT HOLES

THE ThermaBracket-D™ IS FASTENED TO THE SUBSTRATE THROUGH THE ThermaStop™ ISOLATED BASE PLATE OF THE ThermaBracket-D™. THEY ARE ATTACHED TO THE STRUCTURE WITH TWO APPLICATION SPECIFIC HIGH STRENGTH FASTENERS AND LARGE STAINLESS STEEL FLAT WASHERS PER BRACKET WHICH ARE SUPPLIED BY KWS. THE FLAT WASHERS MUST BE INSTALLED TO MAINTAIN THE STRUCTURAL INTEGRITY OF THE RAIN SCREEN SYSTEM. RAILS MAY BE ATTACHED TO THE BRACKET IN EITHER A VERTICAL OR HORIZONTAL ORIENTATION AND CONNECTED TO THE BRACKET WITH ONE NO. 12 TEK SCREW SUPPLIED BY KWS.



SEE SYSTEM SPECIFIC GUIDE DETAILS FOR FURTHER INFORMATION ON DESIGN, DETAILING AND INSTALLATION

2401 East 6th Street • Deer Park, WA 99006

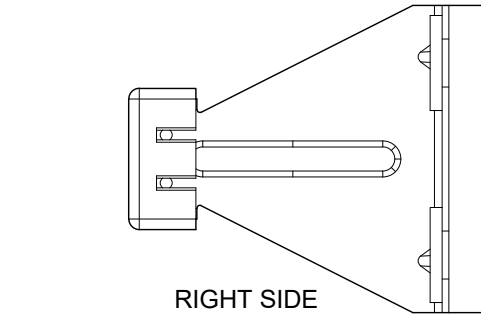
1.855.KWS.WALL

KNIGHTWALLSYSTEMS.COM

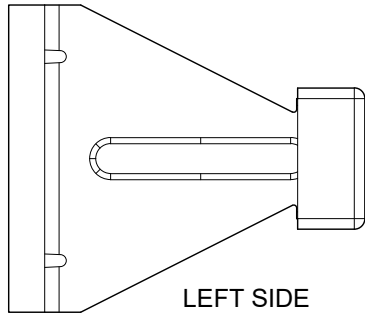
CONTACT KWS FOR FURTHER DETAILS. NO EXPRESS WARRANTIES ARE GIVEN EXCEPT FOR ANY APPLICABLE WRITTEN LIMITED WARRANTIES SPECIFICALLY PROVIDED BY KNIGHT WALL SYSTEMS. ALL IMPLIED WARRANTIES INCLUDING MERCHANTABILITY & FITNESS FOR A PARTICULAR PURPOSE ARE EXPRESSLY EXCLUDED. Project specific engineering must be provided by Knight Wall Systems for a written limited warranty. CI, MFI, CI-Girt, HCI, HCI-Girt, ThermaStop, PanelRail, RevealRail, Reveal-Girt and ThermaBracket are trademarks controlled by Knight Wall Systems, Inc. Please visit us online for more information & CAD files © Knight Wall Systems PATENT US 8,429,866 B2; OTHERS PENDING - Drawn by: MW & BN 11192019



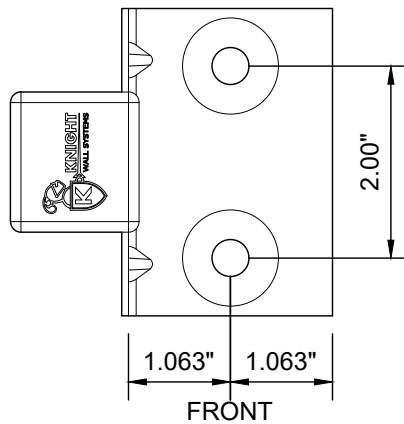
ThermaBracket™ S-Series



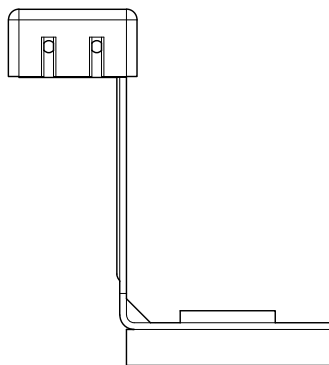
RIGHT SIDE



LEFT SIDE



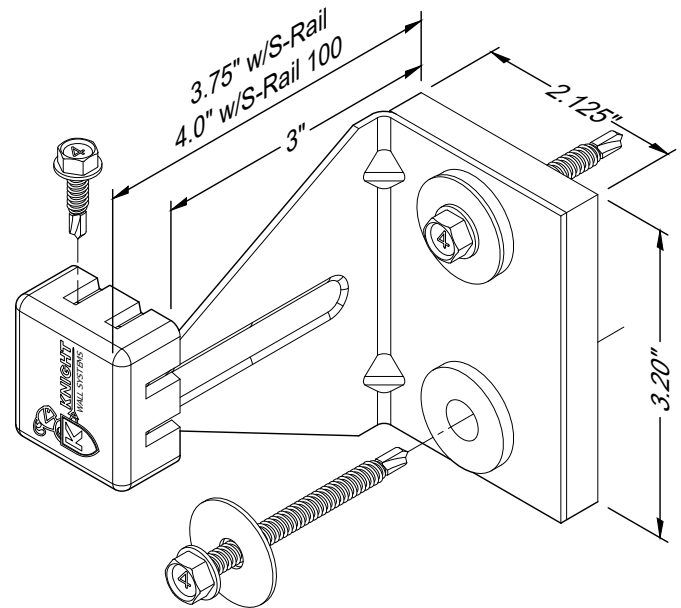
FRONT



TOP

3" ThermaBracket-S™	
ASSEMBLED DEPTH	3.76" INCLUDING S-Rail™
BASE FOOTPRINT	3.20" HIGH x 2.125" WIDE
MATERIALS	14-gauge, ASTM A1046 ZM40, 50-KSI STEEL WITH POLYOXYMETHYLENE ISOLATORS
WEIGHT	5.8 OUNCES EACH AS DELIVERED
ThermaBracket-S™ SPACING	VARIABLE BY PROJECT & CLADDING TYPE
ThermaBracket-S™ WALL ANCHOR	VARIABLE BY SUBSTRATE (STEEL or WOOD STUD, CMU, CONCRETE)
S-Rail™ TO ThermaBracket-S™ ANCHOR PLACEMENT	ONE THROUGH THE PRE-PUNCHED HOLES IN THE LEG OF THE S-Rail™ WHERE IN CONTACT WITH THE ThermaBracket-S™ TOP USING ONE OF TWO AVAILABLE BRACKET HEAD FASTENER PILOT HOLES

THE ThermaBracket-D™ IS FASTENED TO THE SUBSTRATE THROUGH THE ThermaStop™ ISOLATED BASE PLATE OF THE ThermaBracket-D™. THEY ARE ATTACHED TO THE STRUCTURE WITH TWO APPLICATION SPECIFIC HIGH STRENGTH FASTENERS AND LARGE STAINLESS STEEL FLAT WASHERS PER BRACKET WHICH ARE SUPPLIED BY KWS. THE FLAT WASHERS MUST BE INSTALLED TO MAINTAIN THE STRUCTURAL INTEGRITY OF THE RAIN SCREEN SYSTEM. RAILS MAY BE ATTACHED TO THE BRACKET IN EITHER A VERTICAL OR HORIZONTAL ORIENTATION AND CONNECTED TO THE BRACKET WITH ONE NO. 12 TEK SCREW SUPPLIED BY KWS.



SEE SYSTEM SPECIFIC GUIDE DETAILS FOR FURTHER INFORMATION ON DESIGN, DETAILING AND INSTALLATION

2401 East 6th Street • Deer Park, WA 99006

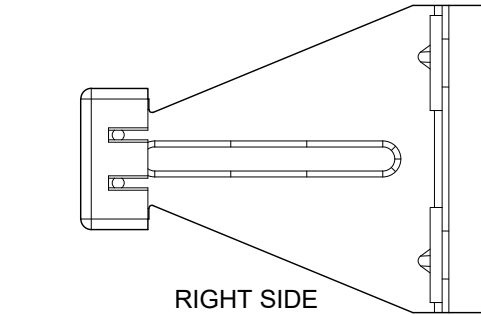
1.855.KWS.WALL

KNIGHTWALLSYSTEMS.COM

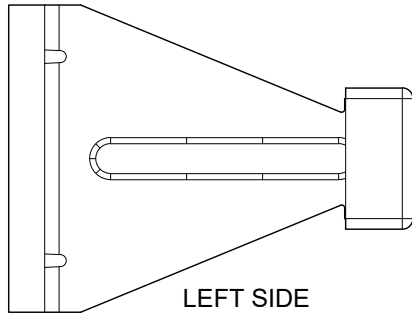
CONTACT KWS FOR FURTHER DETAILS. NO EXPRESS WARRANTIES ARE GIVEN EXCEPT FOR ANY APPLICABLE WRITTEN LIMITED WARRANTIES SPECIFICALLY PROVIDED BY KNIGHT WALL SYSTEMS. ALL IMPLIED WARRANTIES INCLUDING MERCHANTABILITY & FITNESS FOR A PARTICULAR PURPOSE ARE EXPRESSLY EXCLUDED. Project specific engineering must be provided by Knight Wall Systems for a written limited warranty. CI, MFI, CI-Girt, HCI, HCI-Girt, ThermaStop, PanelRail, RevealRail, Reveal-Girt and ThermaBracket are trademarks controlled by Knight Wall Systems, Inc. Please visit us online for more information & CAD files © Knight Wall Systems PATENT US 8,429,866 B2; OTHERS PENDING - Drawn by: MW & BN 11192019



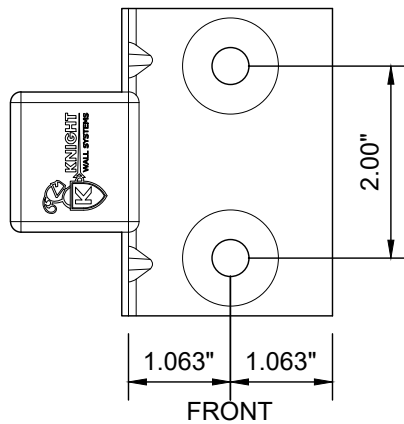
ThermaBracket™ S-Series



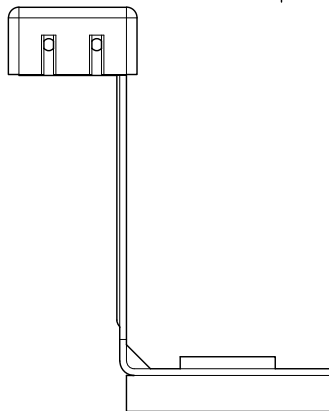
RIGHT SIDE



LEFT SIDE



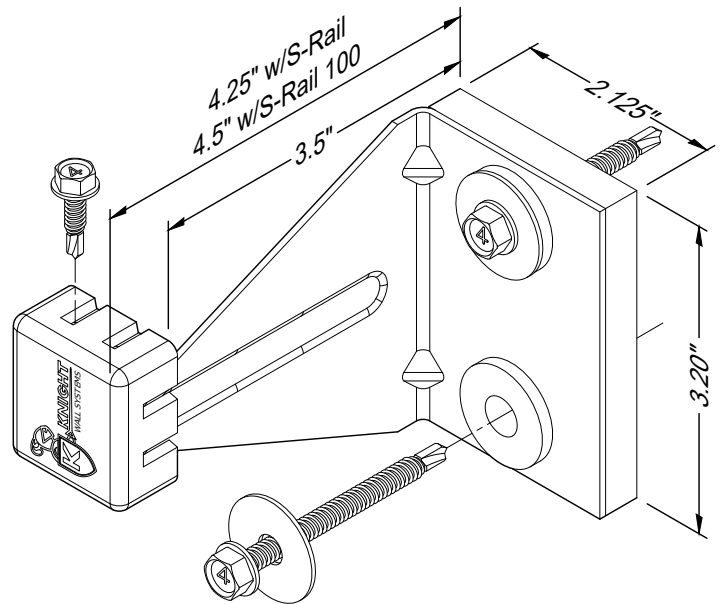
FRONT



TOP

3.5" ThermaBracket-S™	
ASSEMBLED DEPTH	4.26" INCLUDING S-Rail™
BASE FOOTPRINT	3.20" HIGH x 2.125" WIDE
MATERIALS	14-gauge, ASTM A1046 ZM40, 50-KSI STEEL WITH POLYOXYMETHYLENE ISOLATORS
WEIGHT	6.2 OUNCES EACH AS DELIVERED
ThermaBracket-S™ SPACING	VARIABLE BY PROJECT & CLADDING TYPE
ThermaBracket-S™ WALL ANCHOR	VARIABLE BY SUBSTRATE (STEEL or WOOD STUD, CMU, CONCRETE)
S-Rail™ TO ThermaBracket-S™ ANCHOR PLACEMENT	ONE THROUGH THE PRE-PUNCHED HOLES IN THE LEG OF THE S-Rail™ WHERE IN CONTACT WITH THE ThermaBracket-S™ TOP USING ONE OF TWO AVAILABLE BRACKET HEAD FASTENER PILOT HOLES

THE ThermaBracket-D™ IS FASTENED TO THE SUBSTRATE THROUGH THE ThermaStop™ ISOLATED BASE PLATE OF THE ThermaBracket-D™. THEY ARE ATTACHED TO THE STRUCTURE WITH TWO APPLICATION SPECIFIC HIGH STRENGTH FASTENERS AND LARGE STAINLESS STEEL FLAT WASHERS PER BRACKET WHICH ARE SUPPLIED BY KWS. THE FLAT WASHERS MUST BE INSTALLED TO MAINTAIN THE STRUCTURAL INTEGRITY OF THE RAIN SCREEN SYSTEM. RAILS MAY BE ATTACHED TO THE BRACKET IN EITHER A VERTICAL OR HORIZONTAL ORIENTATION AND CONNECTED TO THE BRACKET WITH ONE NO. 12 TEK SCREW SUPPLIED BY KWS.



SEE SYSTEM SPECIFIC GUIDE DETAILS FOR FURTHER INFORMATION ON DESIGN, DETAILING AND INSTALLATION

2401 East 6th Street • Deer Park, WA 99006

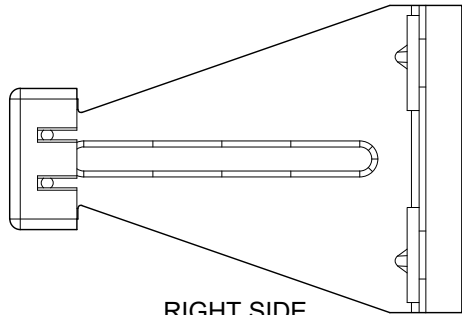
1.855.KWS.WALL

KNIGHTWALLSYSTEMS.COM

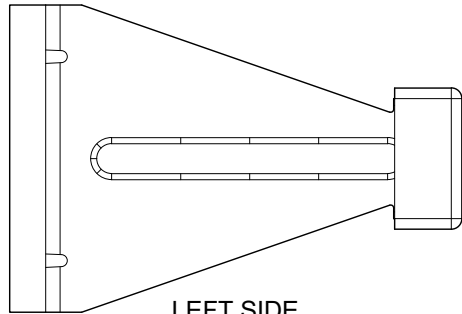
CONTACT KWS FOR FURTHER DETAILS. NO EXPRESS WARRANTIES ARE GIVEN EXCEPT FOR ANY APPLICABLE WRITTEN LIMITED WARRANTIES SPECIFICALLY PROVIDED BY KNIGHT WALL SYSTEMS. ALL IMPLIED WARRANTIES INCLUDING MERCHANTABILITY & FITNESS FOR A PARTICULAR PURPOSE ARE EXPRESSLY EXCLUDED. Project specific engineering must be provided by Knight Wall Systems for a written limited warranty. CI, MFI, CI-Girt, HCI, HCI-Girt, ThermaStop, PanelRail, RevealRail, Reveal-Girt and ThermaBracket are trademarks controlled by Knight Wall Systems, Inc. Please visit us online for more information & CAD files © Knight Wall Systems PATENT US 8,429,866 B2; OTHERS PENDING - Drawn by: MW & BN 11192019



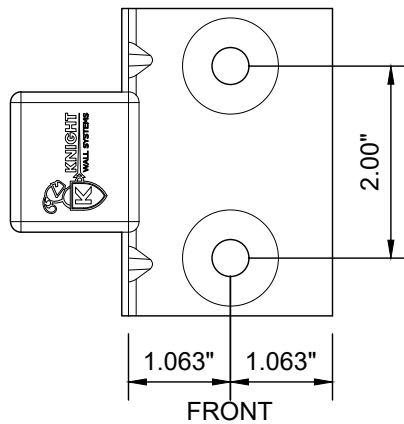
ThermaBracket™ S-Series



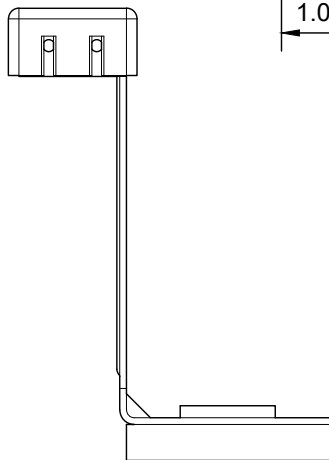
RIGHT SIDE



LEFT SIDE



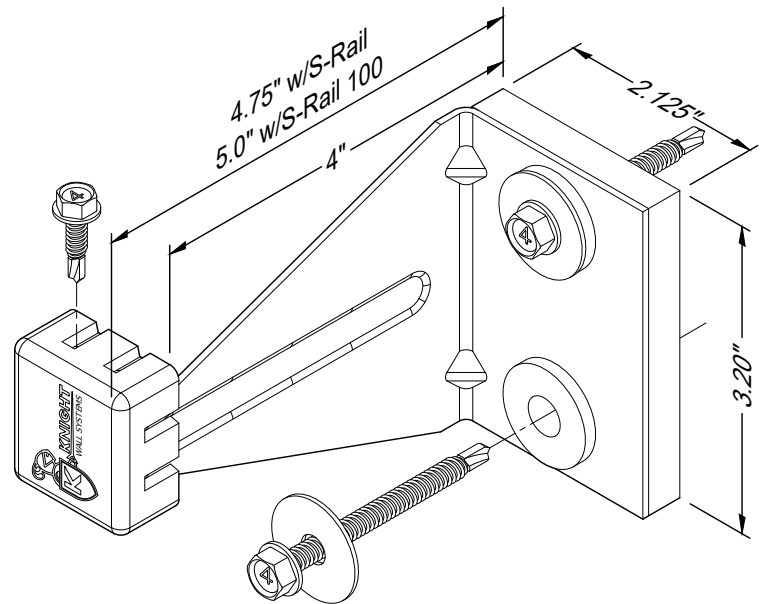
FRONT



TOP

4" ThermaBracket-S™	
ASSEMBLED DEPTH	4.76" INCLUDING S-Rail™
BASE FOOTPRINT	3.20" HIGH x 2.125" WIDE
MATERIALS	14-gauge, ASTM A1046 ZM40, 50-KSI STEEL WITH POLYOXYMETHYLENE ISOLATORS
WEIGHT	6.6 OUNCES EACH AS DELIVERED
ThermaBracket-S™ SPACING	VARIABLE BY PROJECT & CLADDING TYPE
ThermaBracket-S™ WALL ANCHOR	VARIABLE BY SUBSTRATE (STEEL or WOOD STUD, CMU, CONCRETE)
S-Rail™ TO ThermaBracket-S™ ANCHOR PLACEMENT	ONE THROUGH THE PRE-PUNCHED HOLES IN THE LEG OF THE S-Rail™ WHERE IN CONTACT WITH THE ThermaBracket-S™ TOP USING ONE OF TWO AVAILABLE BRACKET HEAD FASTENER PILOT HOLES

THE ThermaBracket-D™ IS FASTENED TO THE SUBSTRATE THROUGH THE ThermaStop™ ISOLATED BASE PLATE OF THE ThermaBracket-D™. THEY ARE ATTACHED TO THE STRUCTURE WITH TWO APPLICATION SPECIFIC HIGH STRENGTH FASTENERS AND LARGE STAINLESS STEEL FLAT WASHERS PER BRACKET WHICH ARE SUPPLIED BY KWS. THE FLAT WASHERS MUST BE INSTALLED TO MAINTAIN THE STRUCTURAL INTEGRITY OF THE RAIN SCREEN SYSTEM. RAILS MAY BE ATTACHED TO THE BRACKET IN EITHER A VERTICAL OR HORIZONTAL ORIENTATION AND CONNECTED TO THE BRACKET WITH ONE NO. 12 TEK SCREW SUPPLIED BY KWS.



SEE SYSTEM SPECIFIC GUIDE DETAILS FOR FURTHER INFORMATION ON DESIGN, DETAILING AND INSTALLATION

2401 East 6th Street • Deer Park, WA 99006

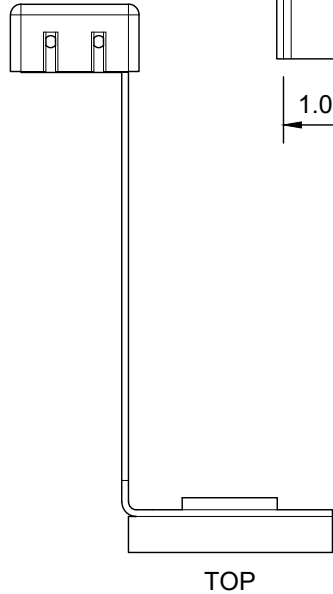
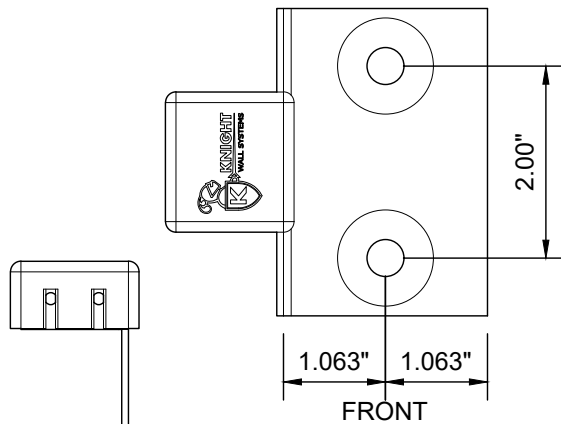
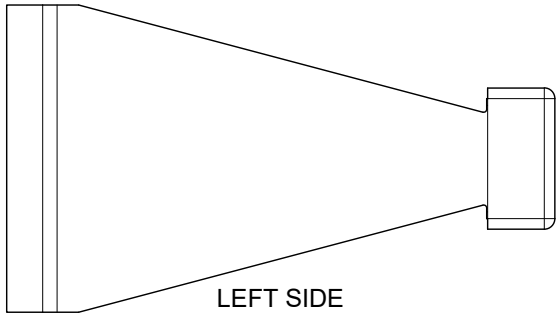
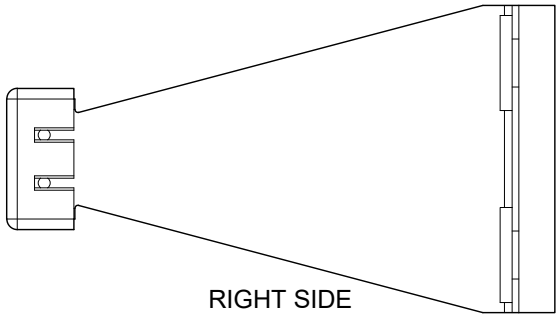
1.855.KWS.WALL

KNIGHTWALLSYSTEMS.COM

CONTACT KWS FOR FURTHER DETAILS. NO EXPRESS WARRANTIES ARE GIVEN EXCEPT FOR ANY APPLICABLE WRITTEN LIMITED WARRANTIES SPECIFICALLY PROVIDED BY KNIGHT WALL SYSTEMS. ALL IMPLIED WARRANTIES INCLUDING MERCHANTABILITY & FITNESS FOR A PARTICULAR PURPOSE ARE EXPRESSLY EXCLUDED. Project specific engineering must be provided by Knight Wall Systems for a written limited warranty. CI, MFI, CI-Girt, HCI, HCI-Girt, ThermaStop, PanelRail, RevealRail, Reveal-Girt and ThermaBracket are trademarks controlled by Knight Wall Systems, Inc. Please visit us online for more information & CAD files © Knight Wall Systems PATENT US 8,429,866 B2; OTHERS PENDING - Drawn by: MW & BN 11192019

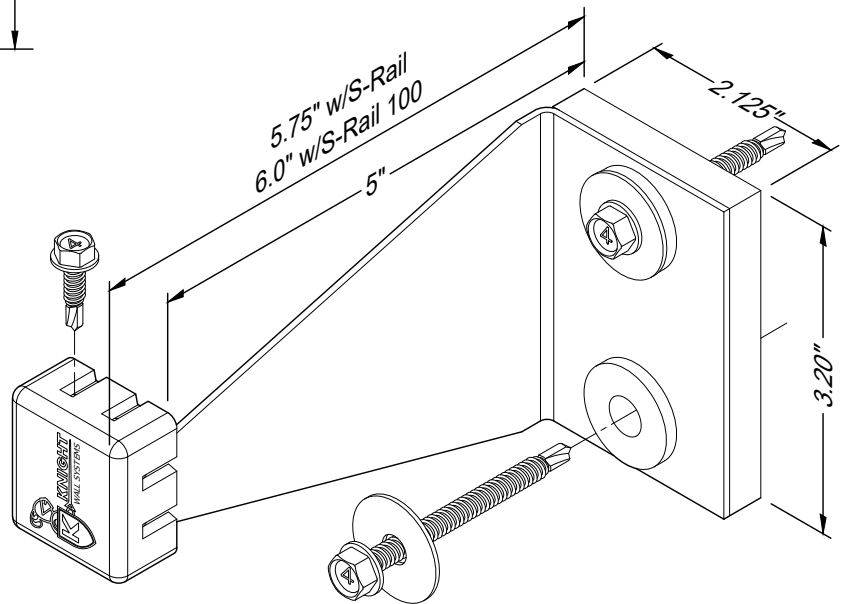


ThermaBracket™ S-Series



5" ThermaBracket-S™	
ASSEMBLED DEPTH	5.76" INCLUDING S-Rail™
BASE FOOTPRINT	3.20" HIGH x 2.125" WIDE
MATERIALS	14-gauge, ASTM A1046 ZM40, 50-KSI STEEL WITH POLYOXYMETHYLENE ISOLATORS
WEIGHT	7.4 OUNCES EACH AS DELIVERED
ThermaBracket-S™ SPACING	VARIABLE BY PROJECT & CLADDING TYPE
ThermaBracket-S™ WALL ANCHOR	VARIABLE BY SUBSTRATE (STEEL or WOOD STUD, CMU, CONCRETE)
S-Rail™ TO ThermaBracket-S™ ANCHOR PLACEMENT	ONE THROUGH THE PRE-PUNCHED HOLES IN THE LEG OF THE S-Rail™ WHERE IN CONTACT WITH THE ThermaBracket-S™ TOP USING ONE OF TWO AVAILABLE BRACKET HEAD FASTENER PILOT HOLES

THE ThermaBracket-D™ IS FASTENED TO THE SUBSTRATE THROUGH THE ThermaStop™ ISOLATED BASE PLATE OF THE ThermaBracket-D™. THEY ARE ATTACHED TO THE STRUCTURE WITH TWO APPLICATION SPECIFIC HIGH STRENGTH FASTENERS AND LARGE STAINLESS STEEL FLAT WASHERS PER BRACKET WHICH ARE SUPPLIED BY KWS. THE FLAT WASHERS MUST BE INSTALLED TO MAINTAIN THE STRUCTURAL INTEGRITY OF THE RAIN SCREEN SYSTEM. RAILS MAY BE ATTACHED TO THE BRACKET IN EITHER A VERTICAL OR HORIZONTAL ORIENTATION AND CONNECTED TO THE BRACKET WITH ONE NO. 12 TEK SCREW SUPPLIED BY KWS.



SEE SYSTEM SPECIFIC GUIDE DETAILS FOR FURTHER INFORMATION ON DESIGN, DETAILING AND INSTALLATION

2401 East 6th Street • Deer Park, WA 99006

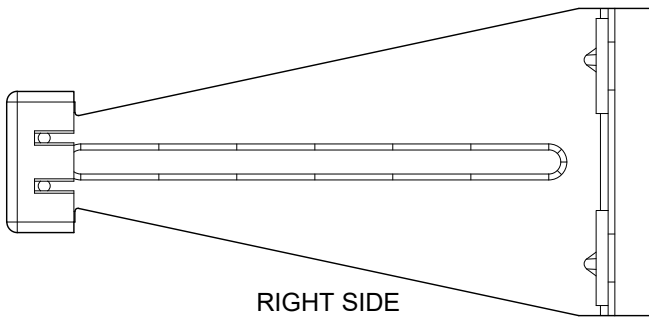
1.855.KWS.WALL

KNIGHTWALLSYSTEMS.COM

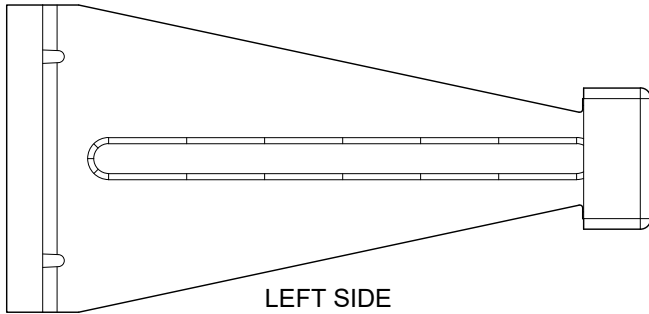
CONTACT KWS FOR FURTHER DETAILS. NO EXPRESS WARRANTIES ARE GIVEN EXCEPT FOR ANY APPLICABLE WRITTEN LIMITED WARRANTIES SPECIFICALLY PROVIDED BY KNIGHT WALL SYSTEMS. ALL IMPLIED WARRANTIES INCLUDING MERCHANTABILITY & FITNESS FOR A PARTICULAR PURPOSE ARE EXPRESSLY EXCLUDED. Project specific engineering must be provided by Knight Wall Systems for a written limited warranty. CI, MFI, CI-Girt, HCI, HCI-Girt, ThermaStop, PanelRail, RevealRail, Reveal-Girt and ThermaBracket are trademarks controlled by Knight Wall Systems, Inc. Please visit us online for more information & CAD files © Knight Wall Systems PATENT US 8,429,866 B2; OTHERS PENDING - Drawn by: MW & BN 11192019



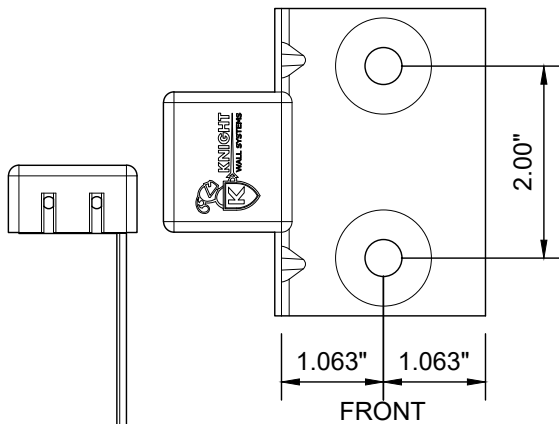
ThermaBracket™ S-Series



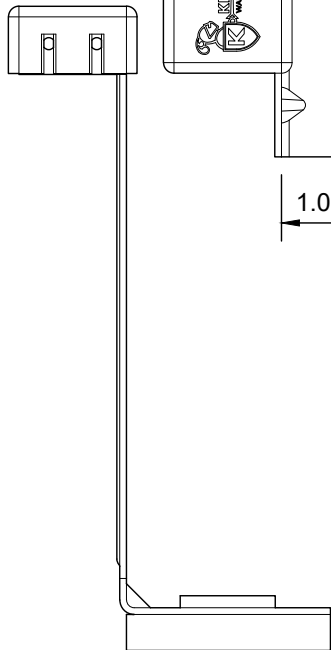
RIGHT SIDE



LEFT SIDE



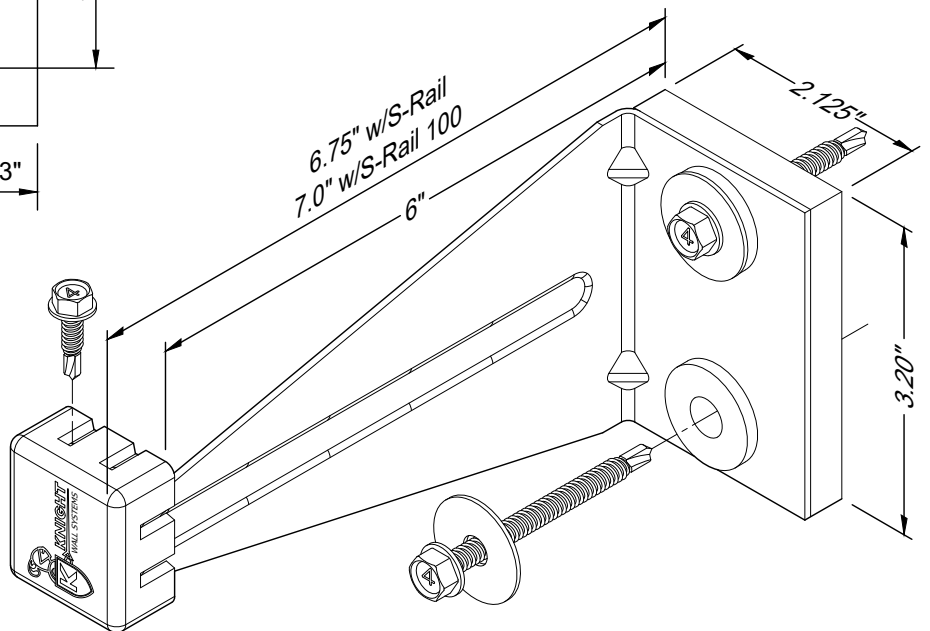
FRONT



TOP

6" ThermaBracket-S™	
ASSEMBLED DEPTH	6.76" INCLUDING S-Rail™
BASE FOOTPRINT	3.20" HIGH x 2.125" WIDE
MATERIALS	14-gauge, ASTM A1046 ZM40, 50-KSI STEEL WITH POLYOXYMETHYLENE ISOLATORS
WEIGHT	8.2 OUNCES EACH AS DELIVERED
ThermaBracket-S™ SPACING	VARIABLE BY PROJECT & CLADDING TYPE
ThermaBracket-S™ WALL ANCHOR	VARIABLE BY SUBSTRATE (STEEL or WOOD STUD, CMU, CONCRETE)
S-Rail™ TO ThermaBracket-S™ ANCHOR PLACEMENT	ONE THROUGH THE PRE-PUNCHED HOLES IN THE LEG OF THE S-Rail™ WHERE IN CONTACT WITH THE ThermaBracket-S™ TOP USING ONE OF TWO AVAILABLE BRACKET HEAD FASTENER PILOT HOLES

THE ThermaBracket-D™ IS FASTENED TO THE SUBSTRATE THROUGH THE ThermaStop™ ISOLATED BASE PLATE OF THE ThermaBracket-D™. THEY ARE ATTACHED TO THE STRUCTURE WITH TWO APPLICATION SPECIFIC HIGH STRENGTH FASTENERS AND LARGE STAINLESS STEEL FLAT WASHERS PER BRACKET WHICH ARE SUPPLIED BY KWS. THE FLAT WASHERS MUST BE INSTALLED TO MAINTAIN THE STRUCTURAL INTEGRITY OF THE RAIN SCREEN SYSTEM. RAILS MAY BE ATTACHED TO THE BRACKET IN EITHER A VERTICAL OR HORIZONTAL ORIENTATION AND CONNECTED TO THE BRACKET WITH ONE NO. 12 TEK SCREW SUPPLIED BY KWS.



SEE SYSTEM SPECIFIC GUIDE DETAILS FOR FURTHER INFORMATION ON DESIGN, DETAILING AND INSTALLATION

2401 East 6th Street • Deer Park, WA 99006

1.855.KWS.WALL

KNIGHTWALLSYSTEMS.COM

CONTACT KWS FOR FURTHER DETAILS. NO EXPRESS WARRANTIES ARE GIVEN EXCEPT FOR ANY APPLICABLE WRITTEN LIMITED WARRANTIES SPECIFICALLY PROVIDED BY KNIGHT WALL SYSTEMS. ALL IMPLIED WARRANTIES INCLUDING MERCHANTABILITY & FITNESS FOR A PARTICULAR PURPOSE ARE EXPRESSLY EXCLUDED. Project specific engineering must be provided by Knight Wall Systems for a written limited warranty. CI, MFI, CI-Girt, HCI, HCI-Girt, ThermaStop, PanelRail, RevealRail, Reveal-Girt and ThermaBracket are trademarks controlled by Knight Wall Systems, Inc. Please visit us online for more information & CAD files © Knight Wall Systems PATENT US 8,429,866 B2; OTHERS PENDING - Drawn by: MW & BN 11192019